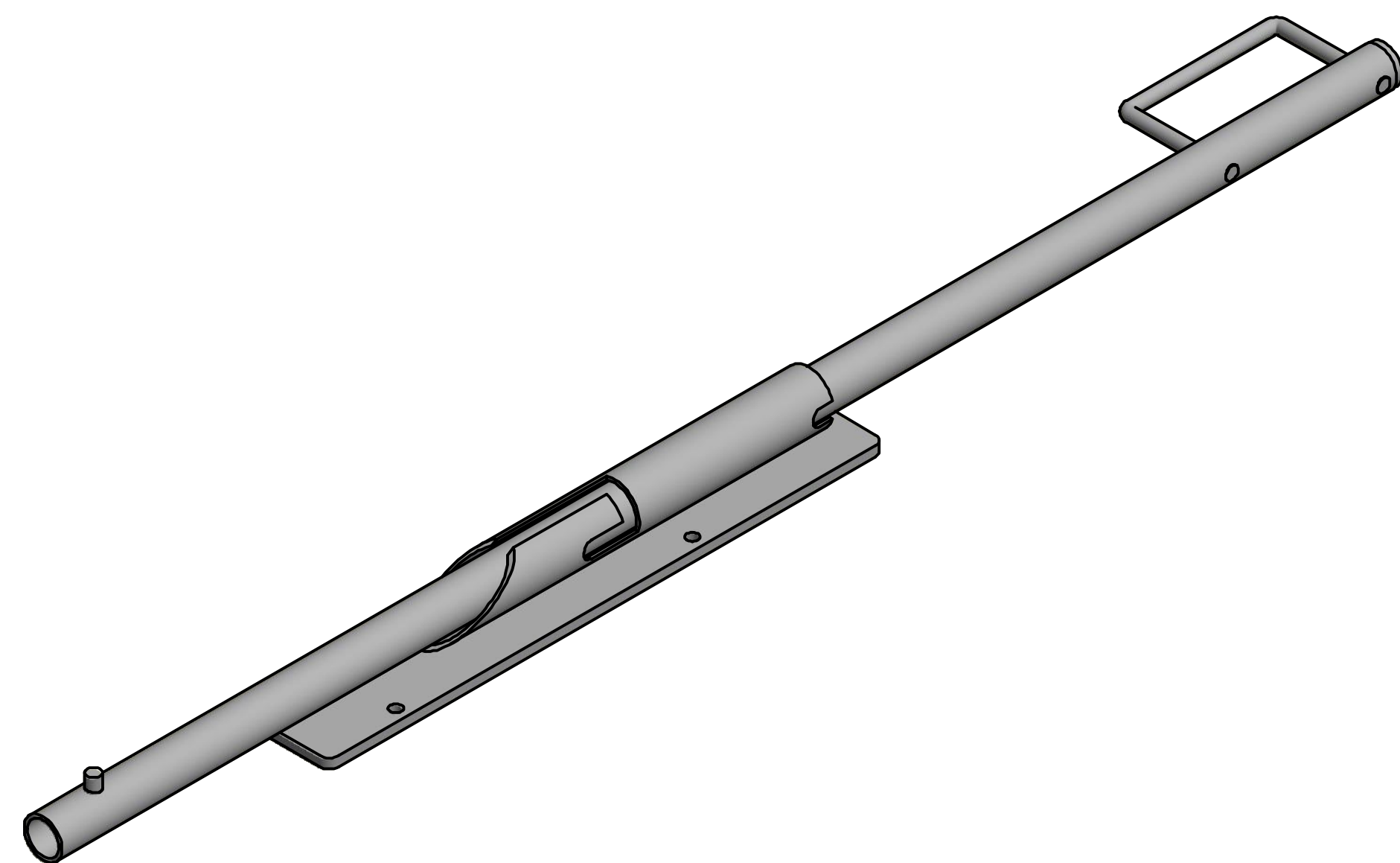


ALL ALUMINUM SAFETY UP-POST

OTHER UP-POST USE A LIFTING ASSIST FEATURE THAT REQUIRED LEVERS TO ENGAGE & RELEASE A FORM OF TORSION THAT WILL DIMINISH OR BREAK OVER TIME. TOTAL LIFTING WEIGHT TO RAISE SAFETY POST IS 7 POUNDS. BECAUSE OF LIFTING ONLY 7 POUNDS OF WEIGHT TO RAISE THIS SAFETY POST INTO A LOCKED UP POSITION, NO ASSIST OF COIL SPRINGS OR OTHERWISE IS NEEDED WITH THIS PRODUCT. SAFETY UP-POST WHEN IN FULL OPENING LOCK POSITION WILL BE 42" ABOVE GRADE.



***** ONLY FOR USE WITH VASF RAF VAULT FRAME STYLE *****

APPLYING THE PRINCIPAL OF SIMPLICITY TO THE FUNCTIONALITY OF THIS PRODUCT, THE DEPENDABILITY WILL EXCEED MORE THAN 10 YEARS OF FREQUENT & NORMAL USAGE WITH MINIMAL SIGNS OF WARE.

NOTE MATERIAL SPECIFICATIONS:

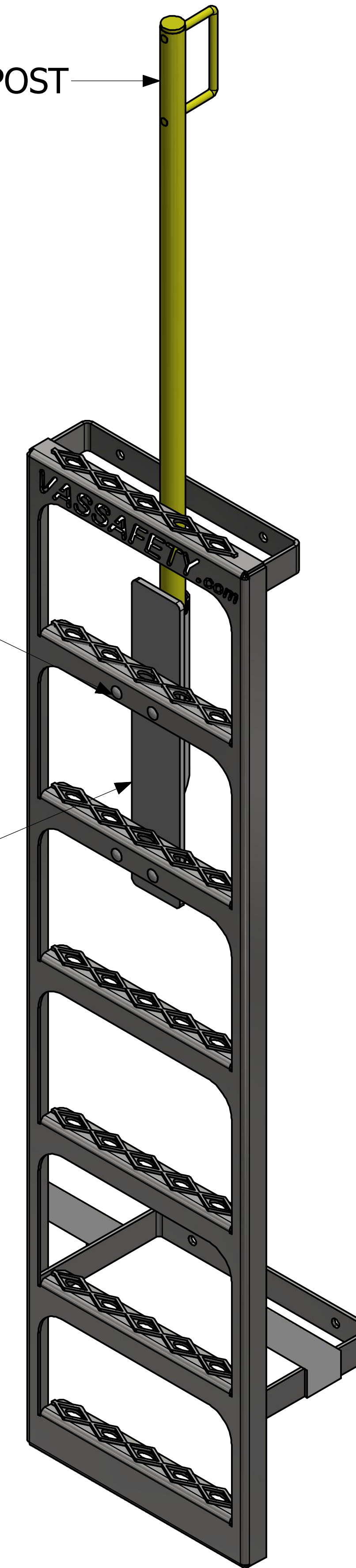
1. ALL ALUMINUM TO BE 6061 - T6.
2. ALUMINUM SAFETY UP-POST TO BE BOLT TO LADDER TO STEEL LADDER.

CAT#: ALL ALUMINUM SAFETY UP-POST

ALUM. SAFETY UP POST

3/8" CARRIAGE BOLTS (x4)

3/8" x 4" x 22" LONG MOUNTING PLATE



6580 McCARRAN BLVD
RENO, NV 89509
WWW.VASSAFETY.COM

ALUMINUM SAFETY UP POST
RAF

DATE:	REVISION:

DRAWN BY: PHANG YANG

SCALE: NA

DATE: 10/26/2016

CHECKED BY: RV

CAD FILE:

SHEET:

1 OF 2

**ALUMINUM SAFETY UP POST
 RAF**

DATE:	REVISION:

DRAWN BY: PHANG YANG
 SCALE: NA
 DATE: 10/26/2016
 CHECKED BY: RV
 CAD FILE:

