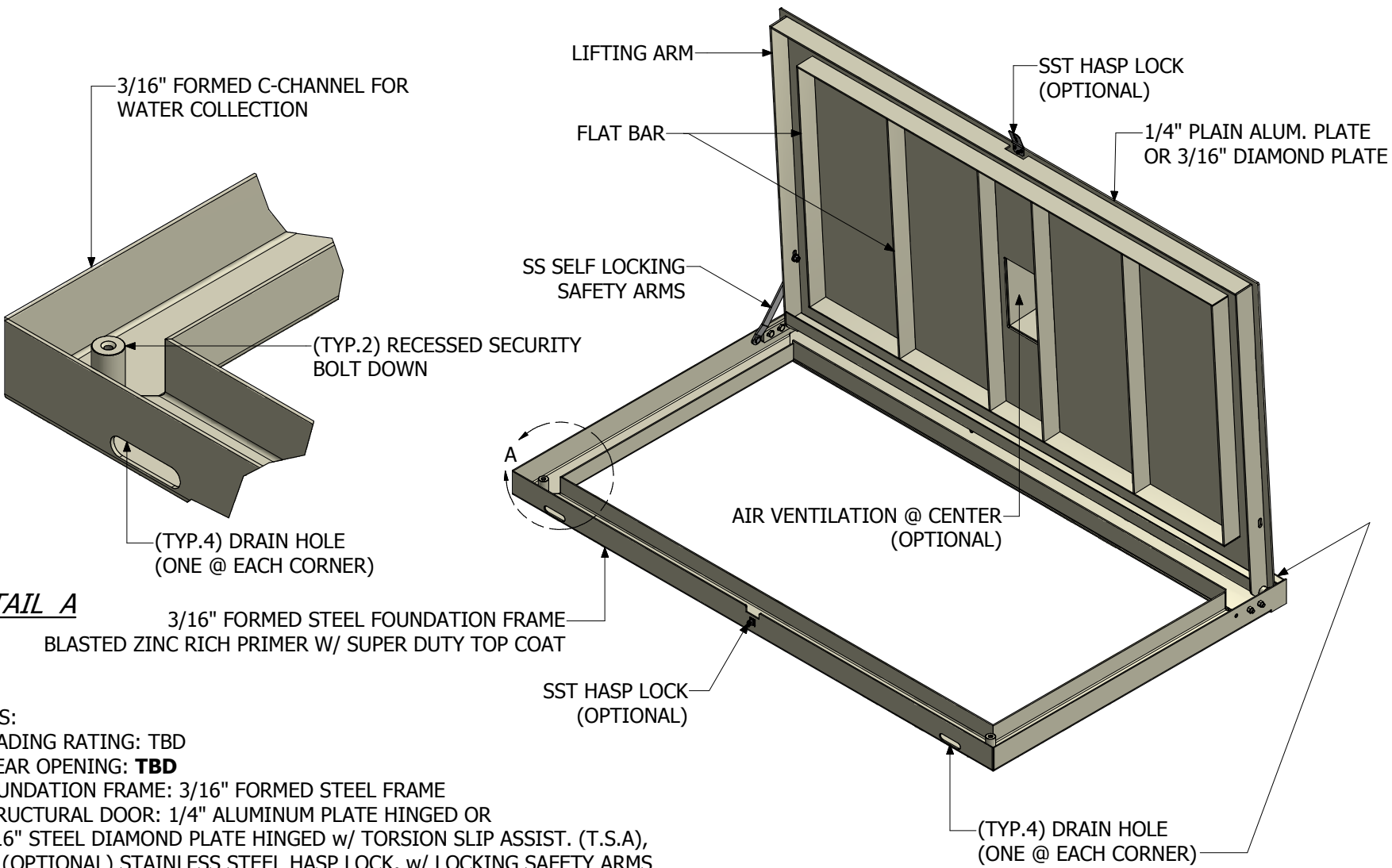



8 | 7 | 6 | 5 | 4 | 3 | 2 | 1



**DETAIL A**

- NOTES:
1. LOADING RATING: TBD
  2. CLEAR OPENING: **TBD**
  3. FOUNDATION FRAME: 3/16" FORMED STEEL FRAME
  4. STRUCTURAL DOOR: 1/4" ALUMINUM PLATE HINGED OR 3/16" STEEL DIAMOND PLATE HINGED w/ TORSION SLIP ASSIST. (T.S.A), w/ (OPTIONAL) STAINLESS STEEL HASP LOCK, w/ LOCKING SAFETY ARMS
  5. VAULT TO HAVE A CONT. RAIN GUTTER ALL AROUND.
  6. ALL WELDING PROCESS PER AWS SPECIFICATIONS.

COMPANY:  
  
**VAS**  
 Vault Access Solutions  
 Where Safety Meets Durability!  
 6580 South McCarran Blvd  
 Reno NV  
 775-240-8006  
 www.VASafety.com

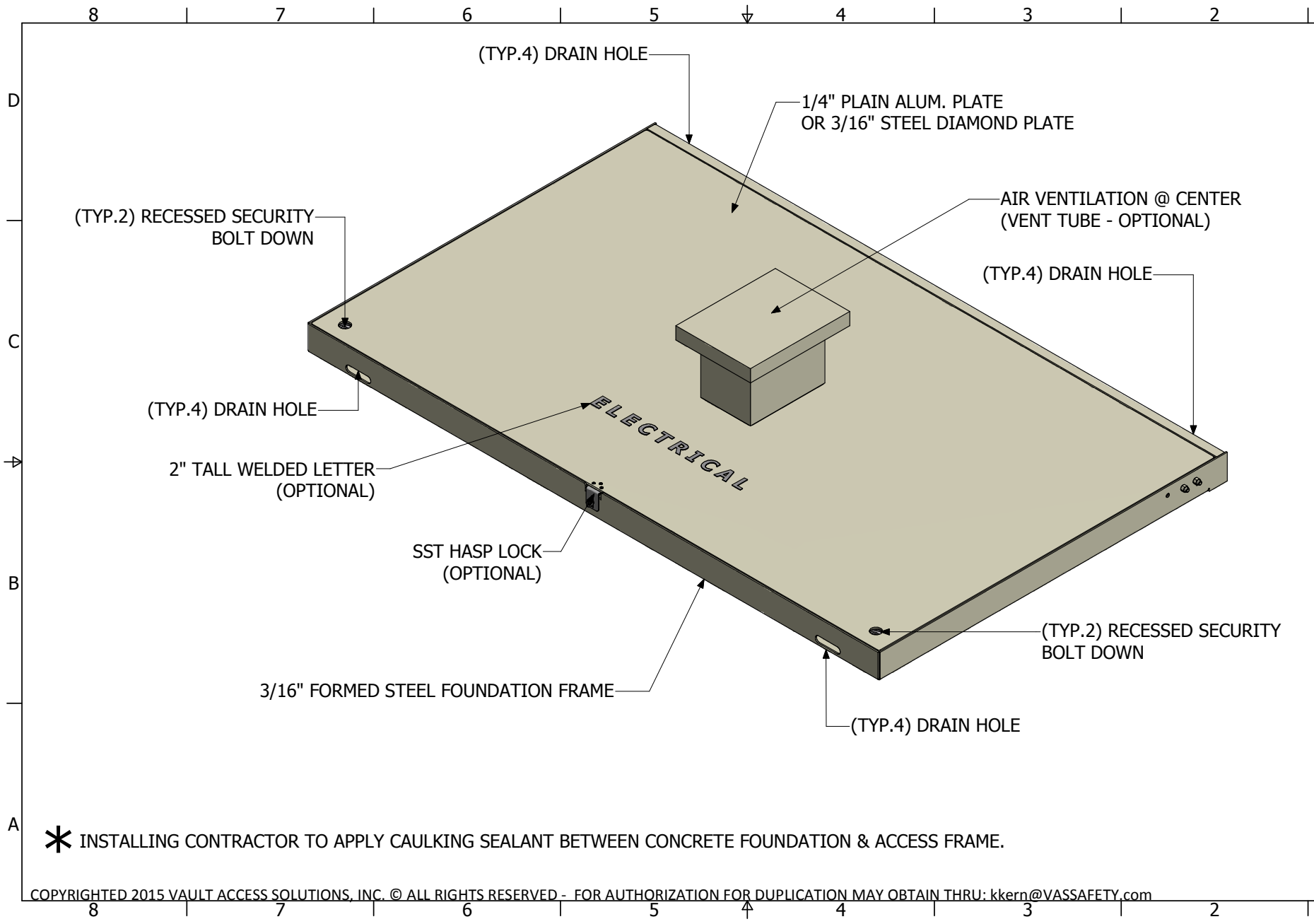
**SOF VAULT ACCESS COVER**

DATE:	REVISION:
03/05/2014	01

DRAWN BY: PHANG YANG  
 SCALE: N/A  
 DATE: 03/09/2015  
 CHECKED BY: KARL KERN  
 CAD FILE:  
 SOF

SHEET:  
**1 OF 3**

8 | 7 | 6 | 5 | 4 | 4 | 3 | 2 | 1



**SOF**  
**VAULT ACCESS COVER**

DATE:	REVISION:
03/05/2014	01

DRAWN BY: PHANG YANG
SCALE: N/A
DATE: 03/09/2015
CHECKED BY: KARL KERN
CAD FILE: SOF

\* INSTALLING CONTRACTOR TO APPLY CAULKING SEALANT BETWEEN CONCRETE FOUNDATION & ACCESS FRAME.

