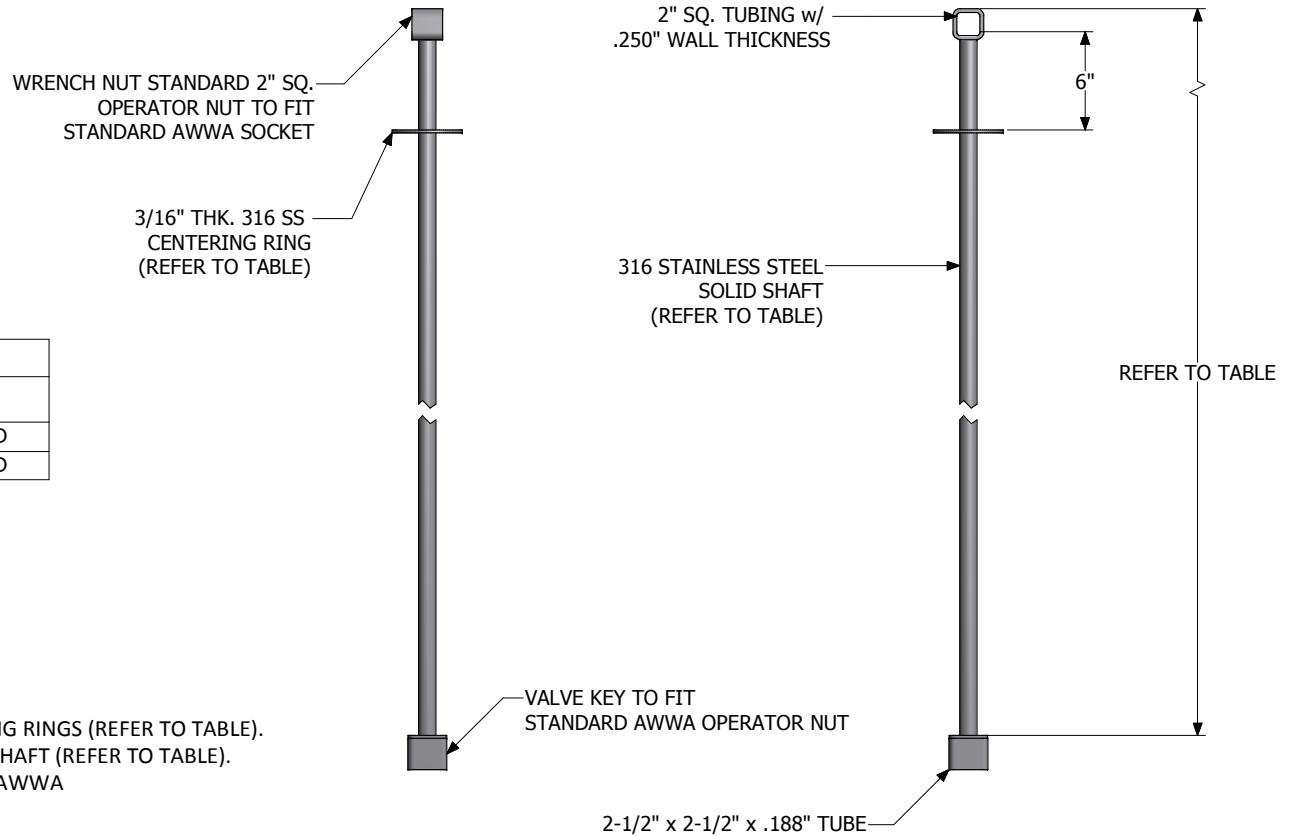




1325 Furneaux Road, Plumas Lakes, CA. 95961  
 (530) 742-9675  
 www.placerwaterworks.com

# VALVE STEM EXTENSIONS

## PW/VE-CSTM



PW/VE - CSTM			
QTY	LENGHT	CENTERING RING DIA.	SHAFT
15	48"	4-1/2"	1-1/8" DIA. SOLID
12	72"	4-1/2"	1-1/4" DIA. SOLID

**NOTES:**

1. REFER TO TABLE FOR VALVE STEM EXTENSION LENGHT.
2. VALVE STEM EXTENSION TO HAVE ONE 3/16" THK. 316 SS CENTERING RINGS (REFER TO TABLE).
3. VALVE STEM EXTENSION SHAFT TO BE 316 STAINLESS STEEL SOLID SHAFT (REFER TO TABLE).
4. VALVE STEM EXTENSION TO HAVE 2" OPERATOR NUT AND ACCEPT AWWA STANDARD NUT.
5. ALL MATERIAL TO BE 316 STAINLESS STEEL.
6. ALL WELDING ARE DONE PER AWS SPECIFICATIONS.
7. VALVE STEM EXTENSION MEETS AIS REQUIREMENTS.  
 CAT#: PW/ VE- CSTM