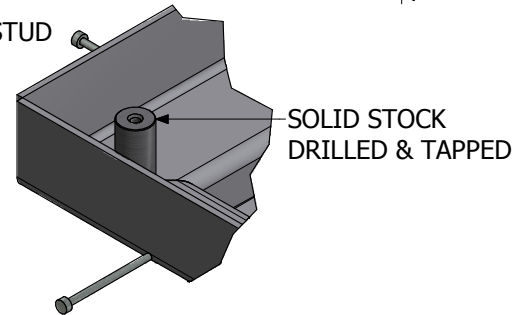
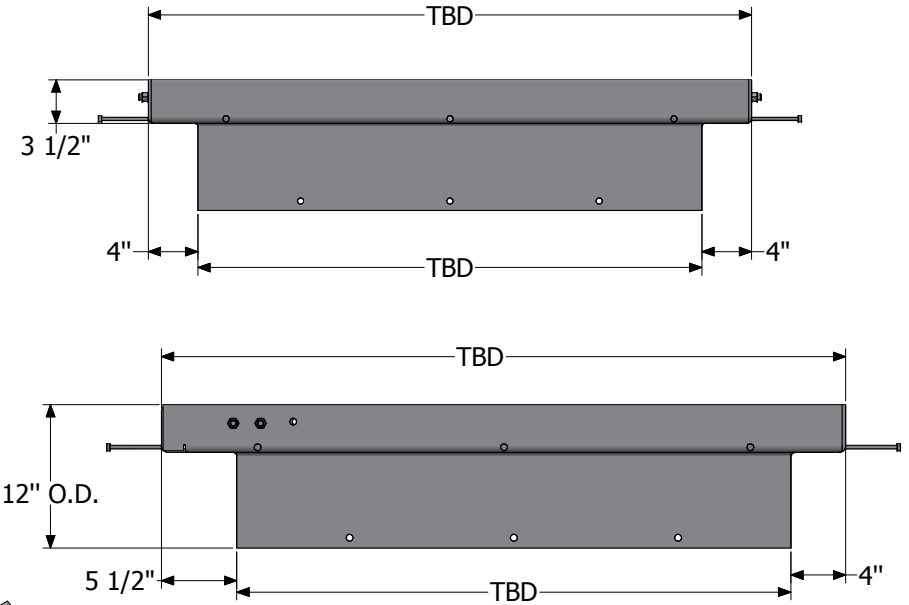
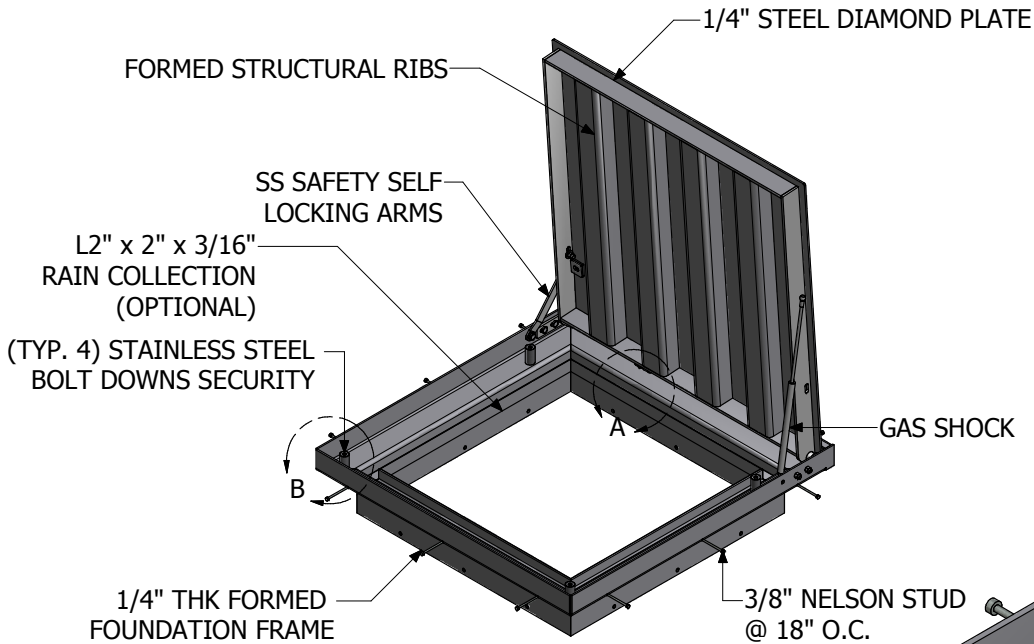


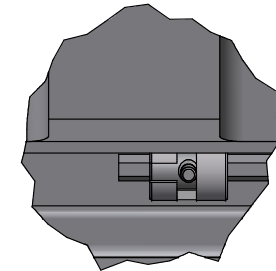


6580 SOUTH McCARRAN BLVD.
 RENO, NV 89509
 WWW.VASsafety.com

Z-4412 TRAFFIC RATED PUMP VAULT ACCESS LID



BOLT DOWN DETAIL B



TORSION SLIP ASSIST. DETAIL A

- NOTES:
1. LOADING RATED: H-44 (LOW IMPACT)
 2. CLEAR OPENING: TBD (MEASUREMENT DRAINAGE TO DRAINAGE)
 3. FOUNDATION FRAME: 1/4" FORMED STEEL Z-BAR STYLE 12" DEEP
 4. STRUCTURAL DOOR: 1/4" THK. STEEL DIAMOND PLATE w/ TORSION SLIP ASSIST. (T.S.A) AND (1) GAS SHOCK, TYP. 4 BOLT DOWNS
 5. ALL STEEL PARTS WILL BE POWDER COATED OR HDG.
 6. ALL WELDING PROCESS PER AWS SPECIFICATIONS.

CAT#: Z-4412

COPYRIGHTED 2014 VASF, INC. © ALL RIGHTS RESERVED - FOR DUPLICATION AUTHORIZATION MAY OBTAIN THRU: kkern@VASsafety.com

CB: K.K. 04-11-2014 REV. 00

SHEET 1 OF 2